

HIGH POWER CHIP RESISTOR

RCCS TYPE

FEATURES

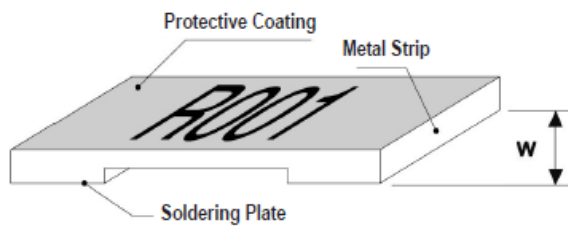
- High Wattage Rating Up to 3W
- Low TCR ± 50 ppm to ± 150 ppm/°C
- Resistance Values from 0.5 to 100m ohm
- Lower Inductance
- Package sizes : 1206, 2010, 2512

APPLICATION

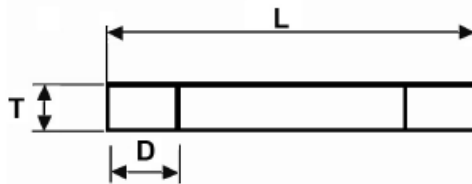
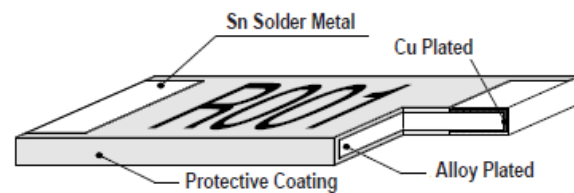
- NB (for Power Management)
- MB (for Power Management)
- SWPS (DC-DC Converter, Charger, Adaptor)
- Monitor (for Power Management)
- Power Supply

DIMENSIONS

Green Coating



Black Coating



Unit : mm

TYPE	POWER	RESISTANCE (mΩ)	L	W	T	D
RCCS1206	1W	1-50	3.25±0.30	1.60±0.25	0.80±0.25	1.00±0.40
RCCS2010	1W	1-100	5.10±0.30	2.55±0.25	0.60±0.30	0.80~2.30
RCCS2512	1W-2W	0.50	6.35±0.30	3.00±0.25	1.00±0.25	1.92±0.30
		0.75	6.35±0.30	3.00±0.25	1.00±0.25	1.92±0.30
		1.00	6.35±0.30	3.00±0.25	1.00±0.25	1.92±0.30
		1.50	6.35±0.30	3.00±0.25	1.00±0.25	1.92±0.30
		2.00-3.00	6.35±0.30	3.00±0.25	1.00±0.25	1.92±0.30
		4.00	6.35±0.30	3.00±0.25	1.00±0.25	1.92±0.30
		5.00-6.00	6.35±0.30	3.00±0.25	1.00±0.25	1.92±0.30
		7.00	6.35±0.30	3.00±0.25	1.00±0.25	1.92±0.30
RCCS2512	3W	0.50-0.75	6.35±0.30	3.25±0.25	1.00±0.25	2.67±0.30
		1.00-100	6.35±0.30	3.25±0.25	1.00±0.25	2.17±0.30

* Green coating : IR reflow soldering only.

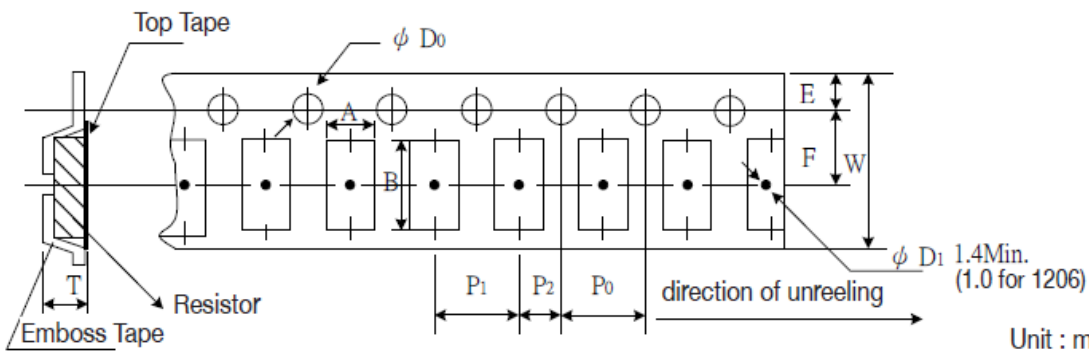
* Black coating : Wave or IR reflow soldering.

CHARACTERISTICS

ITEM	SPECIFICATION		TEST METHOD
	BLACK COATING	GREEN COATING	
TEMPERATURE COEFFICIENT OF RESISTANCE (T.C.R.)	± 50PPM ~ ± 150PPM		JIS-C-5201-4.19 + 25/-55/+ 25/+ 125/+ 25°C
THERMAL SHOCK	± 0.5%	± 1%	JIS-C-5201-4.8 -55°C ~ 150°C, 100cycles
SHORT TIME OVERLOAD	± 0.5%	± 1%	JIS-C-5201-4.13 5 X rated power, 5seconds
RESISTANCE TO DRY HEAT	± 1%	± 1%	JIS-C-5201-4.3 96hours@ +170°C without load
LOAD LIFE	± 1%	± 1%	JIS-C-5201-4.25.1 RCWV, 70°C, 1.5hours on, 0.5hours off
RESISTANCE TO SOLDERING HEAT	± 0.5%	± 1%	JIS-C-5201-4.18 260±5°C, 10±1seconds
SOLDERABILITY	95% min coverage		JIS-C-5201-4.17 245±5°C, 3±1seconds
BENDING STRENGTH	± 1%		JIS-C-5201-4.33 Bending amplitude 3mm for 10seconds

* Green coating can't be worked with wave soldering bath

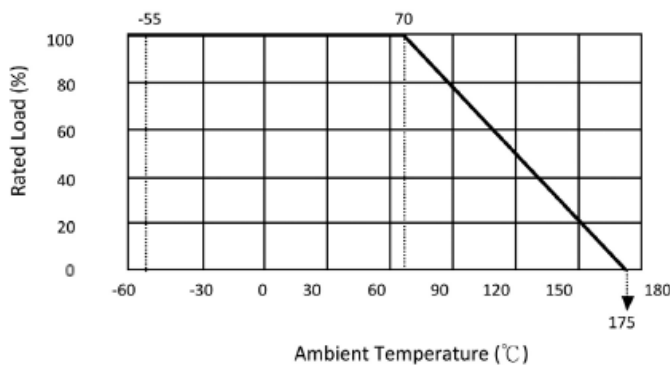
TAPING SPECIFICATIONS



Unit : mm

TYPE	A	B	W	E	F	P ₀	P ₁	P ₂	φ D ₀	T
RCCS1206	1.90±0.1	3.60±0.1	8.0±0.1	1.75±0.1	3.5±0.05	4.0±0.1	4.0±0.1	2.0±0.05	1.55±0.05	0.90±0.1
RCCS2010	2.90±0.1	5.55±0.1	12.0±0.1	1.75±0.1	5.5±0.05	4.0±0.1	4.0±0.1	2.0±0.05	1.55±0.05	1.10±0.1
RCCS2512	3.90±0.1	6.75±0.1	12.0±0.1	1.75±0.1	5.5±0.05	4.0±0.1	8.0±0.1	2.0±0.05	1.55±0.05	1.10±0.1
RCCS2512(G)	3.40±0.1	6.75±0.1	12.0±0.1	1.75±0.1	5.5±0.05	4.0±0.1	4.0±0.1	2.0±0.05	1.55±0.05	0.85±0.1

DERATING CURVE



PACKAGING

Unit : pcs

PACKAGING	EMBOSS PLASTIC TAPE
SERIES	
RCCS1206	2,000/4,000
RCCS2010	2,000
RCCS2512	2,000

ORDERING CODE

